

All stainless steel pressure gauge

E-07.14

PBX100XA-MM

“A lot of value for a competitive price”

For the price-conscious buyer

Rugged, durable, safe, reliable, accurate, stock item

Specifications

Case :

Stainless steel AISI 304; Fillable; IP-65

Bayonet ring : polished stainless steel AISI 304

Socket:

Welded to case

1/2" BSP Male / stainless steel AISI 316L

1/2" NPT Male / stainless steel AISI 316L

Includes internal thread to mount restrictor screw for pulsation dampening

Measuring element:

Bourdon tube, stainless steel AISI 316L

Movement:

Stainless steel AISI 304 with min. and max. stop.

Range :

Vacuum, compound

0-0.6 - 400 bar (0-8.5-5,800 psi)

Accuracy:

+/-1.0% Full scale or better

Blow-out protection:

Rear mounted with compensation diaphragm

Pointer :

Aluminium, black

Dial:

White face with black printing

Individual serial number for traceability

Scale:

Single (bar) with 1/2" BSP

Dual (bar-psi) with 1/2" NPT

Window:

Laminated safety glass (marked SG)

Fillable:

Yes: Glycerine (t ambient=0°C...+60°C)

Silicone Oil (t ambient=-40...+60°C)

Temperature range:

Ambient: -20°C...+60°C (dry)

Process: +100°C maximum

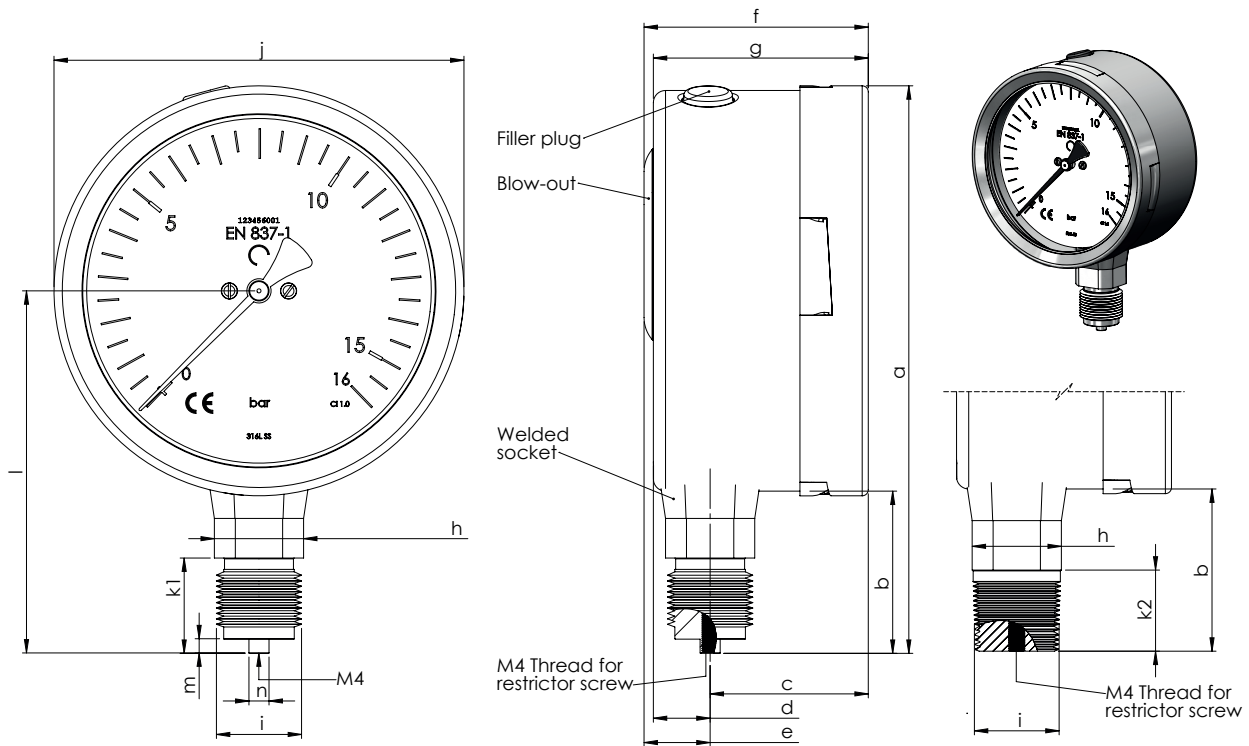


Range		Range	
[bar]	[psi]	[bar]	[psi]
-1/0 ⁽¹⁾	n/a	0-4	0-58
-1/0.6 ⁽¹⁾	n/a	0-6	0-87
-1/+1.5 ⁽¹⁾	n/a	0-10	0-145
-1/+3 ⁽¹⁾	n/a	0-16	0-232
-1/+5 ⁽¹⁾	n/a	0-25	0-362
-1/+9 ⁽¹⁾	n/a	0-40	0-580
-1/+15 ⁽¹⁾	n/a	0-60	0-870
0-0.6	0-8.5	0-100	0-1450
0-1	0-14.5	0-160	0-2320
0-1.6	0-23	0-250	0-3625
0-2.5	0-36	0-400	0-5800

(1) BSP thread only - NPT not available in vacuum and compound ranges

Modifications reserved

PBX100XA-MM



Dim.	Type	a	b	c	d	e	f	g	h	i	j	k1	k2	l	m	n	Weight
Metric [mm]	BSP	140	40	39	14	16.3	55.3	53	Hex 22	1/2" BSP	101	23.5	---	89	3.5	4.95	0.57 kg
US [inch]		5.5	1.57	1.54	0.55	0.64	2.18	2.09			3.98	0.93	---	3.5	0.14	0.195	1.25 lb
Metric [mm]	NPT	140	40	39	14	16.3	55.3	53		1/2" NPT	101	---	20	89	---	4.95	0.57 kg
US [inch]		5.5	1.57	1.54	0.55	0.64	2.18	2.09			3.98	---	0.79	3.5	---	0.195	1.25 lb

Modifications reserved



www.rueger.com www.instrugate.com

Manufacturer of Sensors and Gauges for Temperature & Pressure

RÜEGER SA

Ch. de Mongevon 9
Case postale 98
1023 CRISSIER 1
SWITZERLAND

RÜEGER GmbH

Plieninger Strasse 58
70567 STUTTGART
GERMANY

RÜEGER Sdn Bhd

No. 22-5, Jalan Wangsa Delima 10
D'Wangsa, Wangsa Maju
53300 KUALA LUMPUR
MALAYSIA

BEIJING RÜEGER PRECISION INSTRUMENTS CO., LTD

5th Floor, No. A135, Chengshou Road
Nanshuan, Chaoyang District
CN-100164 BEIJING
P.R. CHINA

Tel + 41 (0)21 637 32 32
Fax + 41 (0)21 637 32 00
E-mail info@rueger.ch

Tel + 49 (0)711 16-163-0
Fax + 49 (0)711 16-16333
E-mail rgmbh@rueger.com

Tel + 603 - 4142 3808
Fax + 603 - 4142 3909
E-mail sales@rueger.com.my

Tel + 86 - 10 8767 7502 / 3379
Fax + 86 - 10 8761 3727
E-mail sales@bjrueger.com